



MIL-C-5015/MIL-DTL-5015 2 pole Military style connector

DJB Part Number: MIL-C-5015

Description: 2 pole cable mount socket, military/industrial style widely used in manufacturing installations.

Thread: 5/8" -24 UNEF

Coupling Method: screw

Temperature Range: -55°C to +125°C

Material List:

Body: Aluminium/Olive green Cadmium plated

Contact Pin: Silver plated copper alloy

Insulator: Neoprene

Compatible DJB cables:

T23

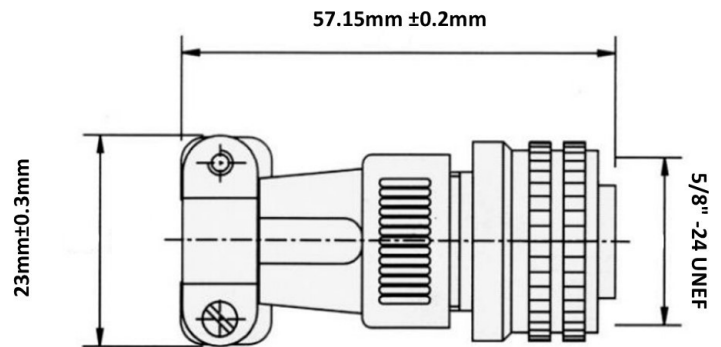
SC42

P52

S30

S51

Dimensions (mm)



Please note: The facts and figures contained herein are carefully compiled to the best of our knowledge intended for general information purposes only, specifications are subject to change without prior notification.

DJB Instruments (UK) Ltd

Finchley Avenue,
Mildenhall, Suffolk IP28 7BG

Tel +44 (0)1638 712 288
Email sales@djbstruments.com
Web www.djbstruments.com

DJB: Iss 1.2020

A UK company with UK-based manufacturing, assembly and calibration in-house.



ISO 9001 – 00025363