

AT/11 Triaxial Piezo-Tronic IEPE Accelerometer

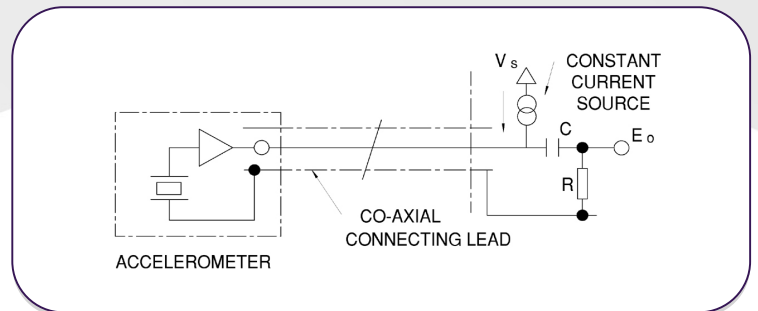
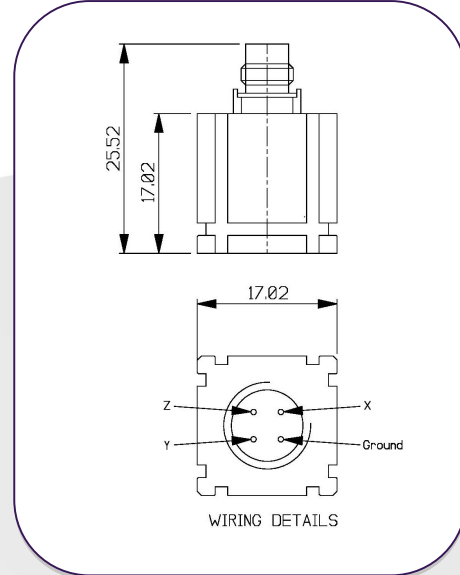
1mV/g up to 100mV/g $\pm 10\%$ 18.9gm Std Temp 125°C



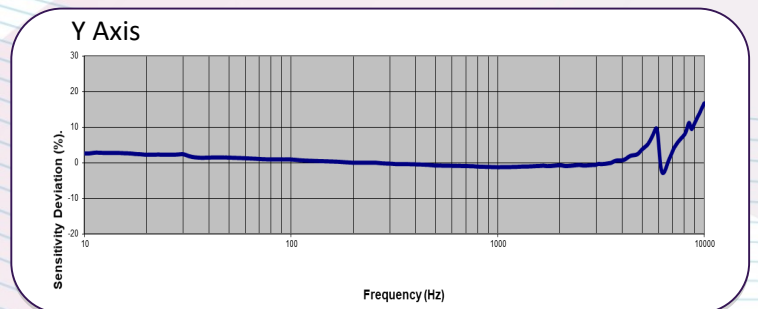
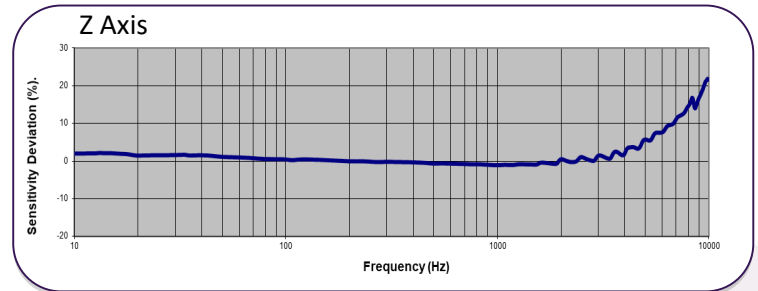
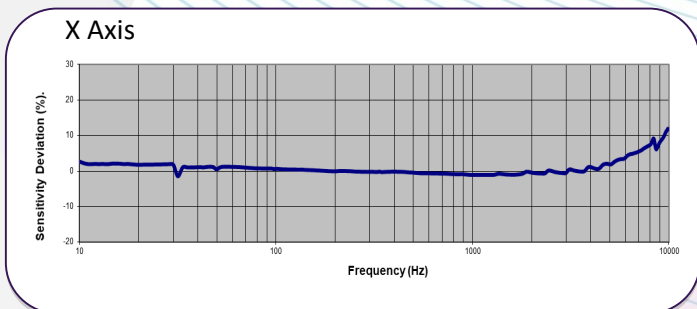
The AT/11 has been developed primarily for the Modal Analysis and Structural test marketplace with particular focus on the Automotive and Aerospace markets. It can be used as a direct replacement for the B&K 4506 accelerometer, fitting into the same clip mounting.

The slotted sides and a slotted base allow it to be mounted on 5 of its faces by sliding into the accompanying clip. Users can then mount the clips using normal glue methods and slide the accelerometers in and out of the clip as required. This ensures perfect repeatability for tests without the need for leaving the accelerometer in situ. In addition, for large channel count testing, all accelerometers can be mounted in the same orientation making software set up easier.

Manufactured in Titanium for low mass and long life, the AT/11 has three individual Konic shear® sensing elements internally mounted in the three orthogonal axes; this provides excellent performance in each axis with minimal cross axis effects.



Typical Frequency Response



Please note: For information and reference only. Data should not be used as pass / fail criteria for calibration purposes

DJB Instruments (UK) Ltd
 Finchley Avenue,
 Mildenhall, Suffolk IP28 7BG

Tel +44 (0)1638 712 288
 Email sales@djbinstruments.com
 Web www.djbinstruments.com

DJB Iss.7.2020

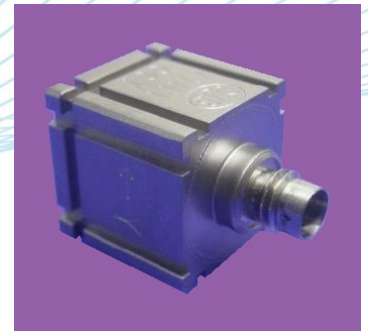


ISO 9001 – 00025363

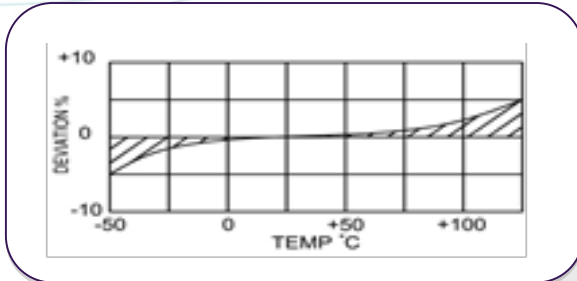
A UK company with UK-based manufacturing, assembly and calibration in-house.

AT/11 Triaxial Piezo-Tronic IEPE Accelerometer

1mV/g up to 100mV/g $\pm 10\%$ 18.9gm Std Temp 125°C



Temperature Response



Typical Spectral Noise (100mV/g)

1Hz	393.4 $\mu\text{g}/\sqrt{\text{Hz}}$
10Hz	174 $\mu\text{g}/\sqrt{\text{Hz}}$
100Hz	32.1 $\mu\text{g}/\sqrt{\text{Hz}}$
1kHz	12.7 $\mu\text{g}/\sqrt{\text{Hz}}$
10kHz	5.1 $\mu\text{g}/\sqrt{\text{Hz}}$

	Metric			Imperial		
	0.1m/s ²	1.02m/s ²	10.2m/s ²	1mV/g	10mV/g	100mV/g
Voltage Sensitivity @20°C $\pm 10\%$						
Resonant frequency	Z Axis 33 kHz X/Y Axis 25 kHz					
Typical Frequency Response $\pm 5\%$ (X/Y/Z Axis) $\pm 10\%$	1Hz - 5kHz 0.7Hz - 6kHz	1Hz - 5kHz 0.7Hz-6kHz	2Hz - 5kHz 1Hz - 6kHz	1Hz - 5kHz 0.7Hz-6kHz	1Hz - 5kHz 0.7Hz-6kHz	2Hz - 5kHz 1Hz - 6kHz
Cross Axis error	$\leq 5\%$ max					
Temperature Range	-50/+125°C			-58/+257°F		
Voltage sensitivity deviation (20°C / 68°F)	-5% @ -50°C +5% @+125°C			-5% @-58°F +5% @+257°F		
Supply voltage	15/ 35 V DC					
Supply current	2/20 mA					
Bias voltage (20°C / 68°F)	9/14 V DC					
Amplitude Linearity (%FS)	$\leq 1\%$					
Broadband resolution	0.002grms					
Output impedance	$\leq 100\Omega$					
Settling time within 10% bias	<3 sec					
Max continuous accn.g sine	49033m/s ²			5000g		
Saturation Limit	49033m/s ²	4903m/s ²	490.3m/s ²	5000g	500g	50g
Base Strain Sensitivity	0.001g/ μ strain					
Case material	Titanium Grade 2					
Mounting	Adhesive or Clip Mounting					
Weight	18.9g			0.67oz		
Case seal	Welded hermetic connector					
Size	17 x 17 x 17mm			0.67 x 0.67 x 0.67in		
Connector	4 pin ¼ - 28 UNF					

Please note: For information and reference only. Data should not be used as pass / fail criteria for calibration purposes

DJB Instruments (UK) Ltd

Finchley Avenue,
Mildenhall, Suffolk IP28 7BG

Tel +44 (0)1638 712 288
Email sales@djbinstruments.com
Web www.djbinstruments.com

DJB Iss.7 2020

A UK company with UK-based manufacturing, assembly and calibration in-house.



ISO 9001 – 00025363