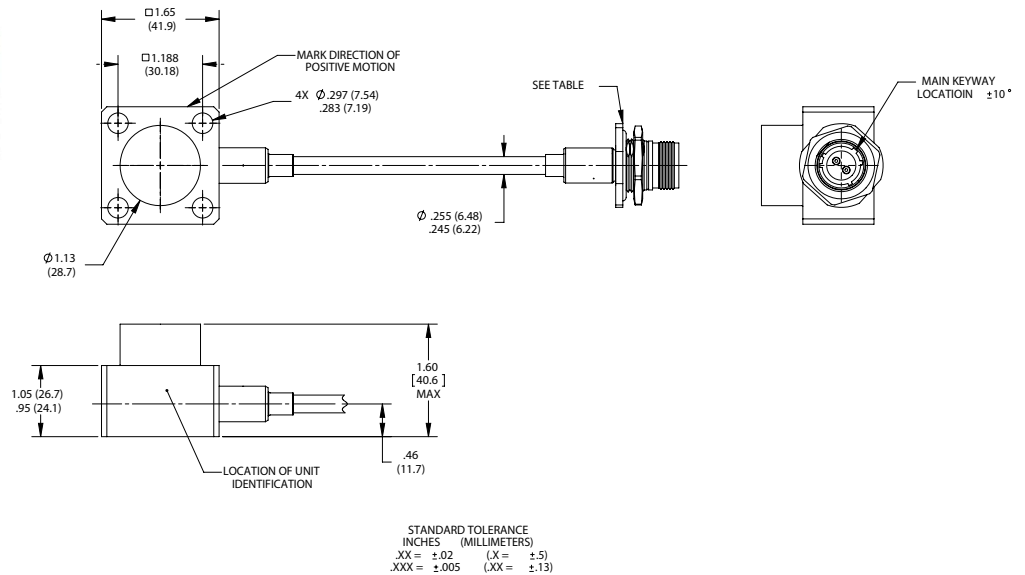
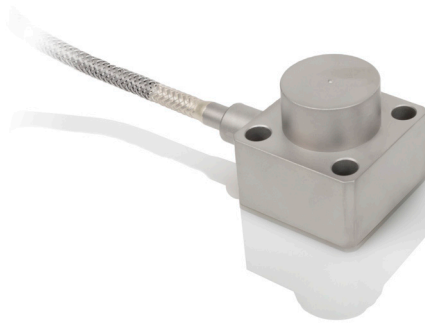


# High temperature gas turbine accelerometer

## Model 6240M4/5/6X



### Key features

- Gas Turbine monitoring
- Rugged hermetic design
- Various cable lengths and connectors
- Balanced differential output
- Ground Isolated

### Description

The MEGGITT Model 6240MXX Accelerometer is designed to operate with long mean time between failure in harsh gas turbine environments. The various model numbers are shown in the table. The model numbers have unique cable lengths and connectors. The accelerometers are rated to 900°F and have an output sensitivity of 50 pC/g.

This series of accelerometers have model numbers of 6240M4X, 6240M5X and 6240M6X.

# High temperature gas turbine accelerometer

## Model 6240M4/5/6X

### Specifications

The following performance specifications conform to ISA-RR-37.2 and are typical values, referenced at +75F (+25C) and 100 Hz unless otherwise noted. Calibration data traceable to National Institute of Standards and Technology (NIST) is supplied.

Dynamic Characteristics	Units	
Charge sensitivity +5%	pC/g	50
Resonance frequency	kHz	15
Amplitude Linearity [1] +5%	Hz	2-350
Charge Temperature Response		+10% to 900°F (482°C)
Transverse sensitivity(maximum)	%	5
Amplitude linearity to 100g	%	1
<b>Electrical characteristics</b>		
Output polarity		Acceleration directed into base of unit produces positive output
Resistance (between pins)	GΩ	>1
At 900°F (482°C)	KΩ	10
Isolation (between pins)		
Over temperature range	MΩ	100
Capacitance (maximum)	pF	3000
<b>Environmental characteristics</b>		
Temperature Range		
Accelerometer	°F(°C)	900 (482)
Connector		
Humidity		Hermetically sealed
Sinusoidal vibration limit	gpk	200
Shock limit	gpk	1000
<b>Physical characteristics</b>		
Dimensions		See outline drawing
Case Material		Inconel 600
Hardline cable		Twisted pair, mineral oxide insulation, metal sheath with SST overbraid (.250 ø). See Model number table for length
Connector		See Model number table for connector type and keyway
<b>Calibration</b>		
Supplied		
Charge sensitivity	pC/g	
Frequency response	%	
Resistance	Ω	
Capacitance	pF	
Cable Pull		Tested at 50 pounds

# High temperature gas turbine accelerometer

## Model 6240M4/5/6X

### Various Options (Model Number Table)

MODEL	TEMP	SENSITIVITY	FREQ RESP (+5%)	CABLE LENGTH (in)	CONNECTOR
6240M4	900°F	50pC/g	20Hz to 350Hz	84.5/83.5	MS3106R-10SL-4P
6240M45	900°F	50pC/g	20Hz to 350Hz	54/52	M83723/89Y 1020-6
6240M46	900°F	50pC/g	20Hz to 350Hz	28/24	M83723/89Y 1020-N
6240M49	900°F	50pC/g	20Hz to 350Hz	40/39	M83723/89Y 1020-6
6240M51	900°F	50pC/g	20Hz to 350Hz	84.5/83.5	MS3106R-10SL-4P
6240M52	900°F	50pC/g	20Hz to 350Hz	NA	MS3106R-10SL-4P
6240M56	900°F	50pC/g	20Hz to 350Hz	49/47	M83723/89Y 1020-N
6240M57	900°F	50pC/g	20Hz to 350Hz	62/60	M83723/89Y 1020-6
6240M58	900°F	50pC/g	20Hz to 350Hz	50/48	M83723/89Y 1020-6
6240M60	900°	50pC/g	20Hz to 350Hz	56/54	M83723/89Y 1020-N